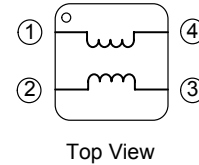


SURFACE MOUNT COMMON MODE FILTER FOR DC POWER

DESCRIPTION

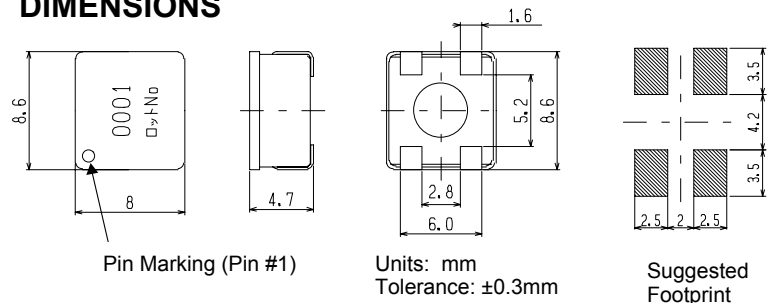
The TOKO ECM85 is a surface mount common mode choke coil designed for DC power line applications up to 5 Amps. The product is specifically designed for use between the DC-DC converter and external AC adapter in portable platforms such as notebook computers.



FEATURES

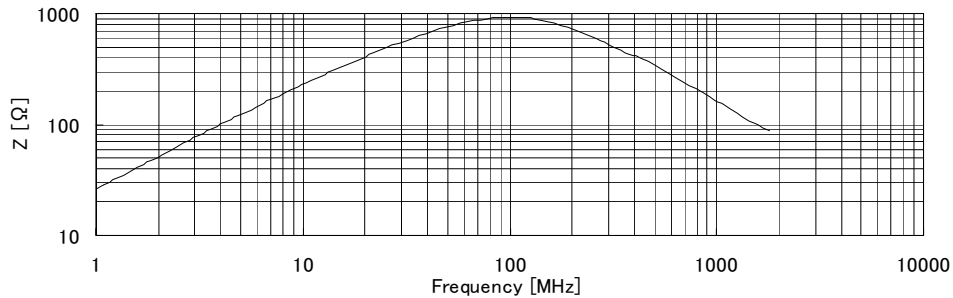
- 8.6x8.0mm footprint
- 4.7mm maximum height
- Maximum DC Current: 5A
- Closed magnetic circuit structure
- Reflow solderable
- Packaged on 500 piece reels

DIMENSIONS

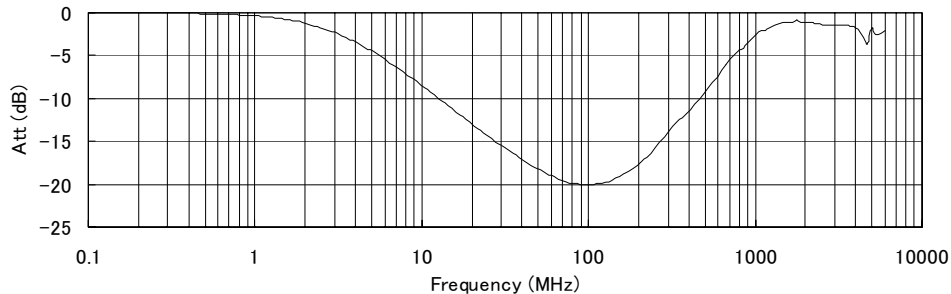


ELECTRICAL CHARACTERISTICS

Common Mode Impedance



Common Mode Attenuation



The information furnished by TOKO, Inc., is believed to be accurate and reliable. However, TOKO reserves the right to make changes or improvements in the design, specification, or manufacture of its products without further notice. TOKO does not assume any liability arising from the application or use of any product or circuit described herein, nor for infringements of patents or other rights of third parties which may result from the use of its products. No license is granted by implication or otherwise under any patent or patent rights of TOKO, Inc.